

Curt Wohlrab, Jr.

M. Koriot Trumpets

Nauheim, Germany

1950 Curt Wohlrab Jr. applies for a US patent for his unique piston valve design, which moves the tuning slides into the valves. The patent is assigned to "Musik-Haus Wohlrab GmbH" (patent drawing top right).

1954 US patent #2,665,606 is granted in January.

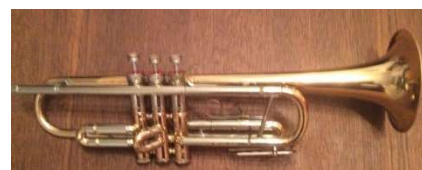
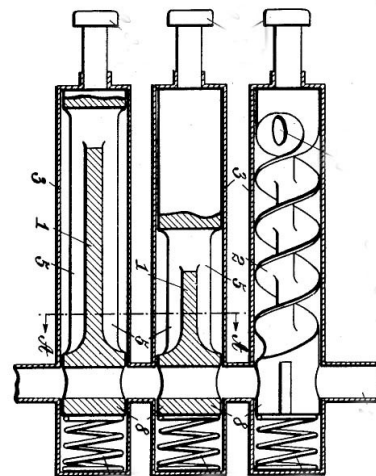
Trumpets built to the patent design are quite rare (photo 2) but those with just valve 2 inside are more common (photo 3). I have read that Wohlrab worked with Bauerfeind in Nauheim to produce these trumpets. Serial numbers found range from 1,000 to 6,000. These all say "Made in Germany".

Wohlrab also made normal trumpets which have the same serial number range. (photo 4) These generally have a third slide ring, angled tuning slide brace, and bottom water keys. These trumpets also show up labeled "Hopf New Sound" (photo 5), "La Sete" (photo 6), "Golden Star" (photo 7), and "American" (photo 8) or "Keytone Rexton". Sometimes these trumpets will have a model number such as "8N" or "9E" on them. One account that I read said that a "Wohlrab American Deluxe" trumpet was purchased in 1978.

The only "La Sete" trumpets made by Wohlrab would be marked "Made in Germany" and sold through Keilwerth. That name is also used on trumpets not made by him and later ones may have been made by Blessing in Elkhart, Indiana.

Trumpets made after 1973 may be marked with "Made in GDR" as that was a new requirement to distinguish them from items made in West Germany.

Other Wohlrab trumpets appear under the "M. Koriot" label. It is said that Koriot trumpets were the ones marketed in the US and these seem to come from several sources. The earliest Koriot trumpet I could find has an anchor logo on the second valve and labeled "Czechoslovakia" which means it was made by Bohland & Fuchs in Graslitz before they became part of Germany in 1938 (photo 1, page 2). This one has a hammered bell.



Some Koriot trumpets are made in France (photos 2 & 3) and have the third slide on the right side. These may have been trumpets marketed under this name before buying them from Wohlrab.

Koriot trumpets made by Wohlrab have the patent second slide inside the valve (photos 4-6). These have the same serial number range and often have a hexagon finger ring.

I also found a few examples of a Wohlrab trumpet (or possibly cornet) that have an added turn on the lead pipe before it enters the valves. These have serial numbers around 6,000 (2 photos below).

